



Name: _____

Grade: _____

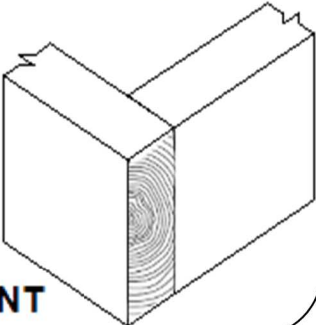
CHS - WOOD JOINTS



Research each of the joints below and fill in their correct names. Then use your research to answer all of the questions.

What would you use to hold the two pieces of wood together?

A. _____

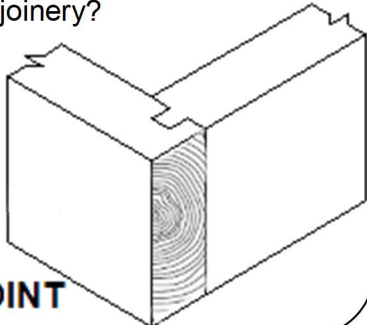


_____ JOINT

In what common part of your house might you find this type of joinery?

A. _____

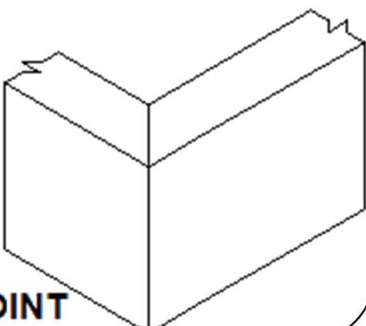
_____ & _____



_____ JOINT

At what angle do the two pieces meet?

A. _____

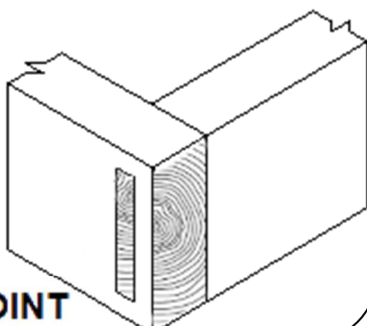


_____ JOINT

In what type of furniture might you find this type of joinery?

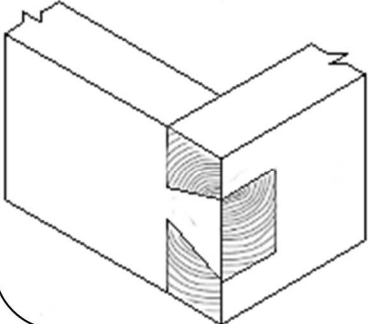
A. _____

_____ & _____



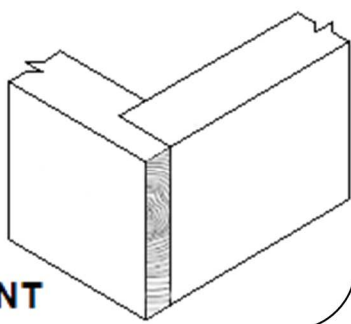
_____ JOINT

In what common item in your household would you find this types of joints?



A. _____

_____ JOINT



_____ JOINT

These are the same joint, but are sometimes referred to by different names. What is the one difference between these two joints?

A. _____

_____ JOINT

Bonus: what is the other name for this joint?

