



Name: \_\_\_\_\_

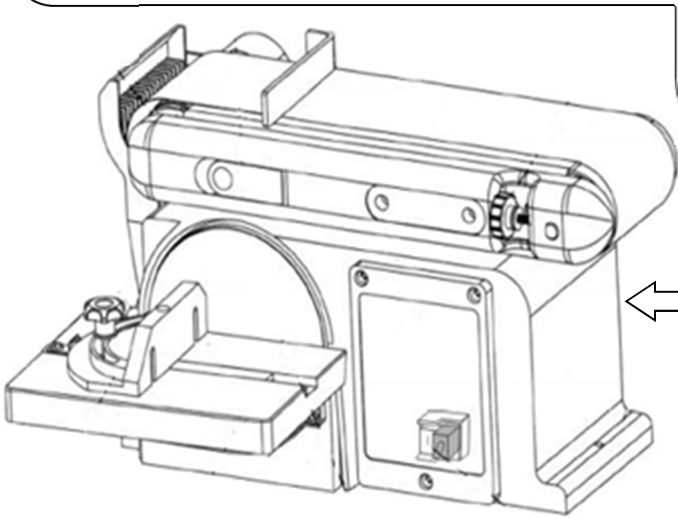
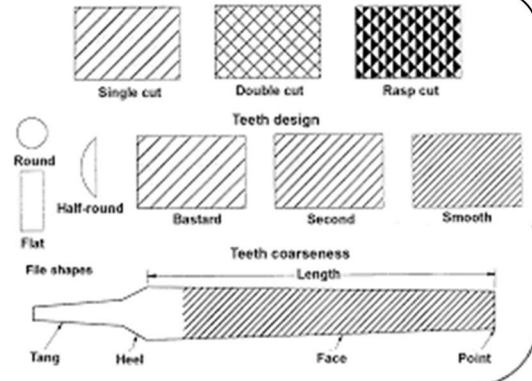
Grade: \_\_\_\_\_

# SANDING / FILING



**FACT:**

Filing is generally meant for \_\_\_\_\_ stock. It does leave tool marks so it is therefore **NOT** a finishing tool. They can come in a variety of shapes and cuts, each with a specific purpose.



Tool name: \_\_\_\_\_

Used for: \_\_\_\_\_

Machine specific safety tip: \_\_\_\_\_

Tool name: \_\_\_\_\_

Used for: \_\_\_\_\_

Sandpaper is generally the last step before adding a finish. Its purpose is mainly to...

\_\_\_\_\_

\_\_\_\_\_

\_\_\_\_\_

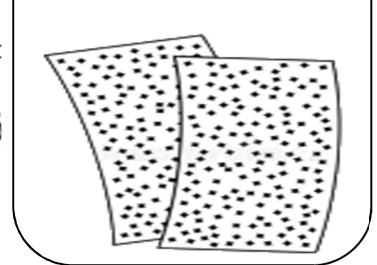
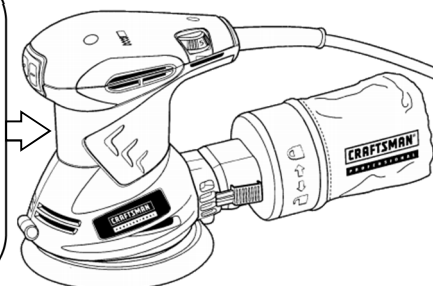
**FACT:**

The above machine has two distinct types of sanders. When using the disc part of the sander, try to keep your work primarily on the side with the \_\_\_\_\_ stroke.

Tool name: \_\_\_\_\_

Used for: \_\_\_\_\_

Machine specific safety tip: \_\_\_\_\_



**FACT:** These sanders usually come with either \_\_\_\_\_ or \_\_\_\_\_ of sandpaper.

The roughness of the sandpaper is determined by the amount of \_\_\_\_\_ per \_\_\_\_\_.

**FACT:**