



Name: _____

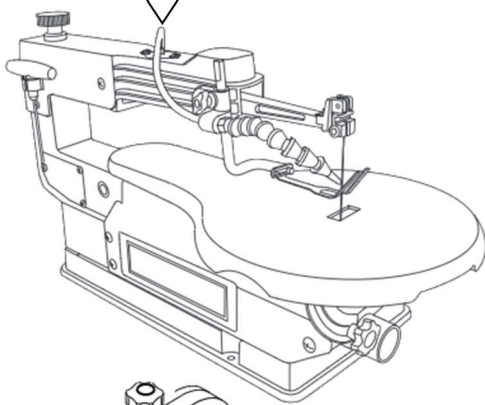
Grade: _____

CHS - MACHINES



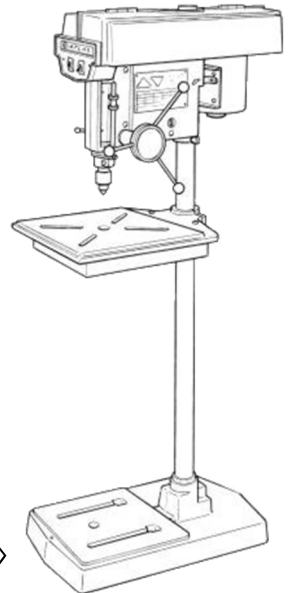
Below are some of the machines you may come across this term. Explain what they are used for in the spaces provided and then label possible safety risks.

Tool name:
This tool is used for:

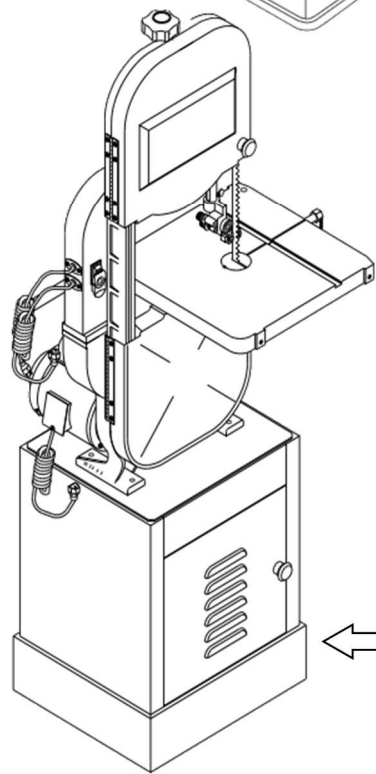


General Safety Rules:

-
-
-
-
-
-
-
-



Tool name:
This tool is used for:



Tool name:
This tool is used for:

Tool name:
This tool is used for:

