



Name: \_\_\_\_\_

Grade: \_\_\_\_\_

# PLANER

## Operation and Safety



EANLETIOV ALHDENWEH  
\_\_\_\_\_

ESPDE TLCORNO NBKO  
\_\_\_\_\_

CMEEGNREY PTSO  
\_\_\_\_\_

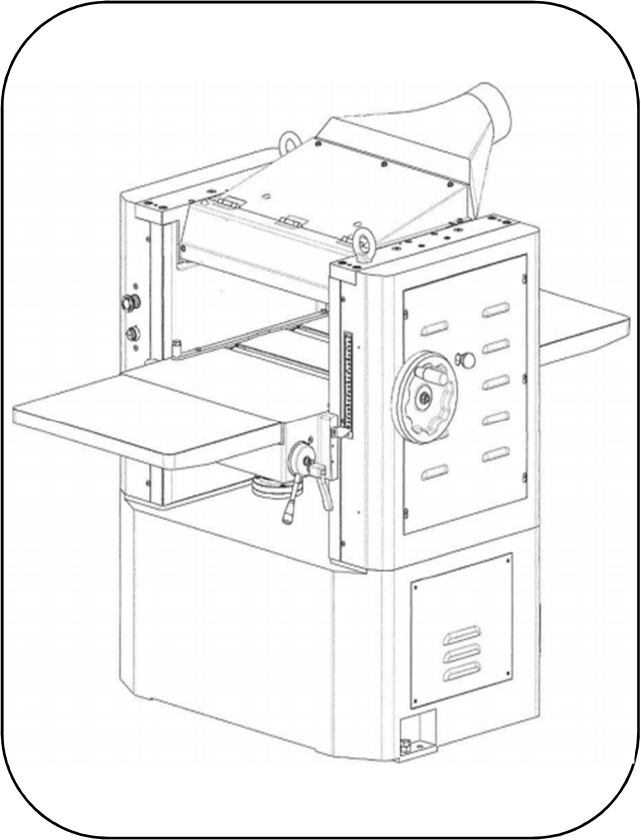
DSTU CEUHT  
\_\_\_\_\_

PEWOR UTNOBT  
\_\_\_\_\_

DFTUEOE TLBEA  
\_\_\_\_\_

ENFIED EALBT  
\_\_\_\_\_

HCINSETSK ULRRE  
\_\_\_\_\_



What is the most you should raise the table between cuts?  
**1/8"**   **1/4"**   **1/2"**

Some planers come with an automated option which controls the depth of cut & offers a digital read on the exact measurement, this is known as...  
\_\_\_\_\_

**Thickness ruler   Outfeed table   Power button   Speed control knob   Dust chute   Elevation handwheel   Infeed table   Emergency stop**