



Name: \_\_\_\_\_

Grade: \_\_\_\_\_

# SCROLL SAW Operation and Safety



EPESD LTOCRNO OKBN  
\_\_\_\_\_

ELABT  
\_\_\_\_\_

EBALD NOSINTE VEELR  
\_\_\_\_\_

What is the "margin of safety" on the scroll saw?

6"

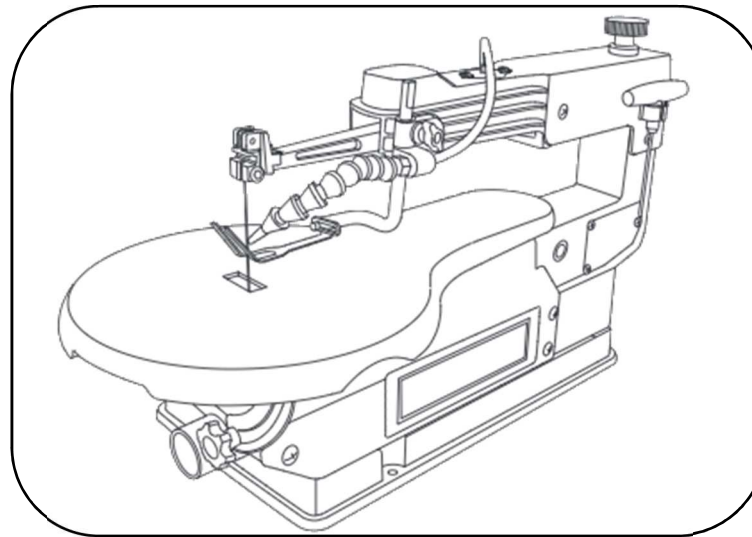
2"

4"

IAR HOES  
\_\_\_\_\_

LBEEV LCESA  
\_\_\_\_\_

DHOL NOWD OTFO  
\_\_\_\_\_



Rolling the machine over by hand has no practical purpose

True

False

EPURP MAR  
\_\_\_\_\_

BHMTU CRSEW  
\_\_\_\_\_

VELBE KCOL KBON  
\_\_\_\_\_

What direction should the teeth on the scroll saw blade be facing?

Upward

Downward

Upper arm   Bevel lock knob   Hold Down Foot   Thumb screw   Table   Air hose   Speed control knob   Blade tension lever   Bevel scale