



Name: _____

Grade: _____

JOINTER

Operation and Safety

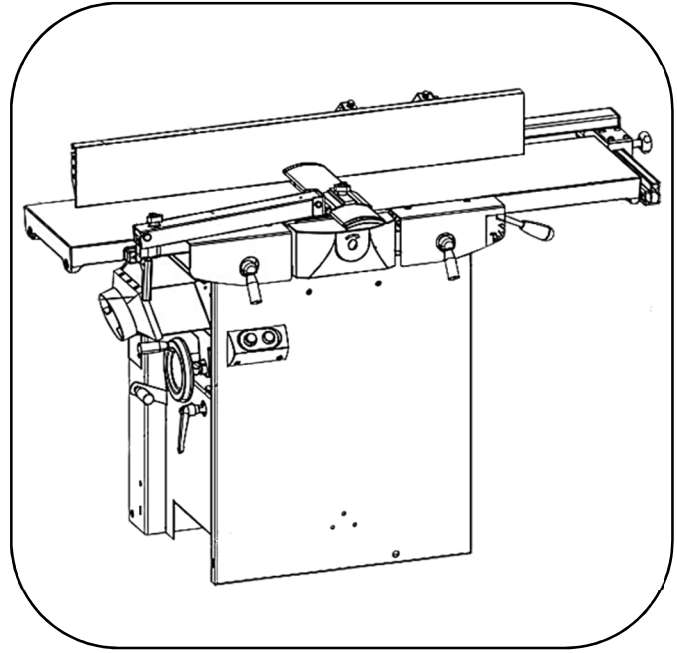


True End grain can safely be jointed. False

OEKRR RMA

NEIFED BLTEA

UOETFED BLTEA



True Push blocks *can* be used, but are not necessary when the wood is taller than the fence False

DTSU CCRLOTEOL TVNE

HHETGI NAJEDSTMUT EHWLE

Stock must be a minimum of what length to go through the jointer?

6" 12" 18"

What feed direction is optimal when jointing a board?

The Margin of safety is _____ on either side or the guard.

2" 3" 4"

Dust Collector Vent Rocker Arm Infeed Table Outfeed Table Height Adjustment Wheel With The Grain