



Name: _____

Grade: _____

BANDSAW Operation and Safety



What is the "margin of safety" on the bandsaw?

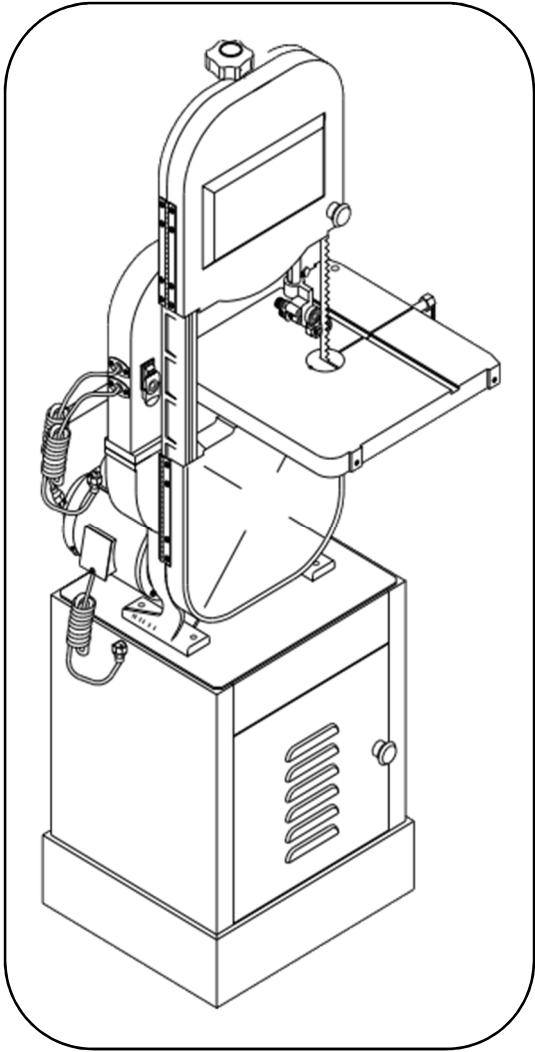
- 2"
- 4"
- 6"

ONITENS BONK

EADLB AUDRG

WPORE UTBTNO

ELEWH GRUDA OODR



How high should the guard be positioned above the work piece?

LAEBD

BTEAL

SABE

RPUEP EYSLBSMA UEDIG

- Blade Guard
- Base
- Table
- Upper Assembly Guide
- Wheel Guard Door
- Blade
- Power Button
- Tension Knob