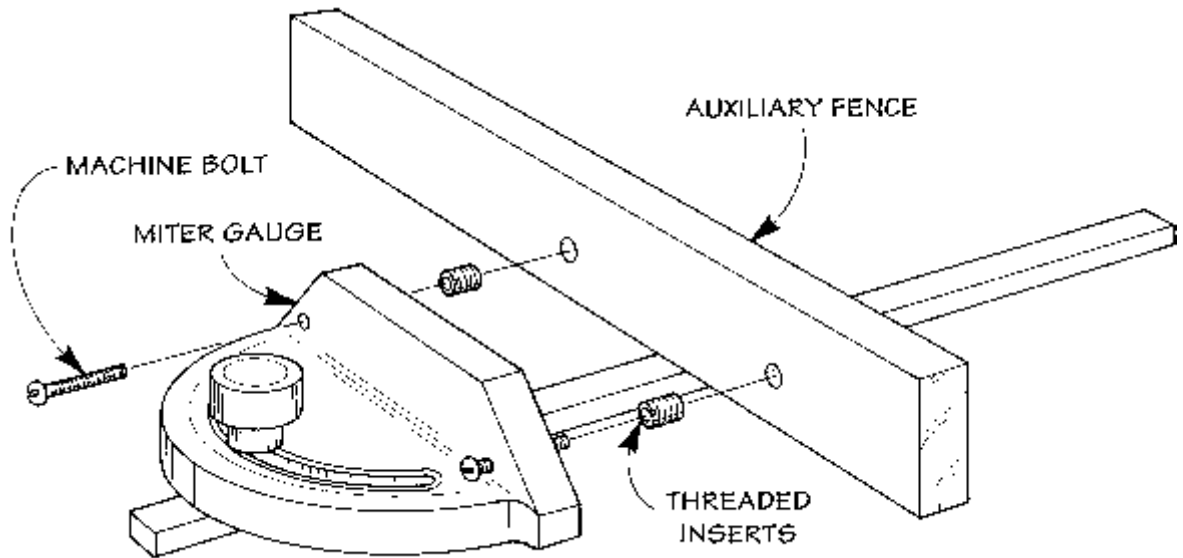


## Auxiliary Fence



For extra support, I often temporarily screw an auxiliary fence to my miter gauge, see Drawing. The only problem with this is that the woodscrews eventually strip out the holes in the auxiliary fence.

To solve the problem, I replaced the woodscrews with machine screws and threaded inserts, see Drawing. (*Note: This also makes installation and removal quick and easy.*)